

# RNCAXXVW3

## DC-8GHz SURFACE MOUNT ATTENUATORS

The RNCAXXVW3 offers excellent performance to 8GHz. This chip attenuator handles up to 1W. It can be used in power monitoring and matching applications in various commercial and military frequency bands. The RNCAXXVW3 is also RoHS Compliant.

### Features:

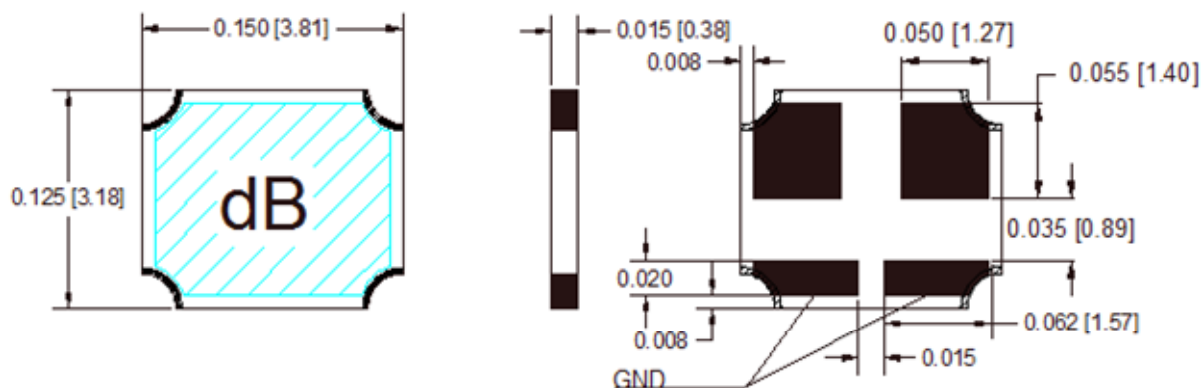
- Low VSWR
- DC-8GHz
- Alumina Substrate
- 1 Watt
- RoHS Compliant
- Available in Tape and Reel



### Specifications

- Impedance: 50 Ohms
- Frequency: DC – 8 GHz
- Power: 1 Watt
- Attenuation accuracy:
  - ±0.5 dB -- 1 to 6 dB
  - ±0.5 dB -- 7 to 9 dB
  - ±1.0 dB -- 10 to 12 dB
  - +0.5-2.0 dB -- 13 to 14 dB
  - +0.5-3.0 dB -- 15 to 18 dB
  - +0.5-4.0; dB -- 19 to 20 dB
- VSWR 1.35:1
- Terminal Finish: Electroplated Tin over Nickel barrier
- Operating Temperature: -55°C to 150°C

### Mechanical Outline



Dimensions are in inches [mm]

P.O. BOX 18802, Clearwater, FL 33762  
1-800-526-0704