

RPC805015AT50-5

2 WATTS CHIP TERMINATION

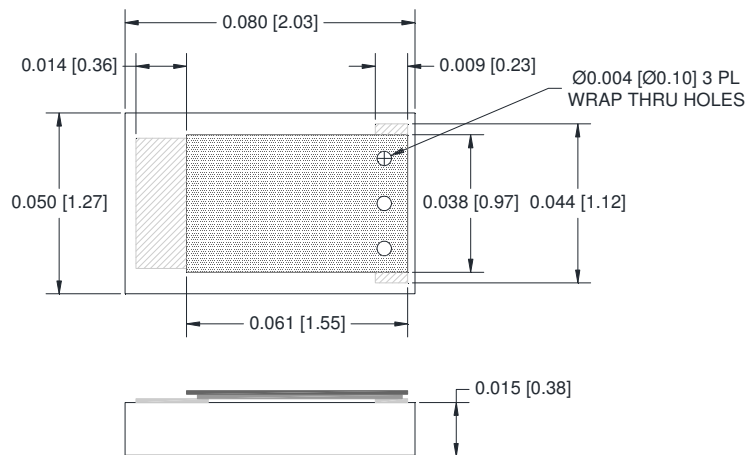
Features:

- Alumina substrate
- Low VSWR
- RoHS Compliant
- DC-12GHz
- Small size

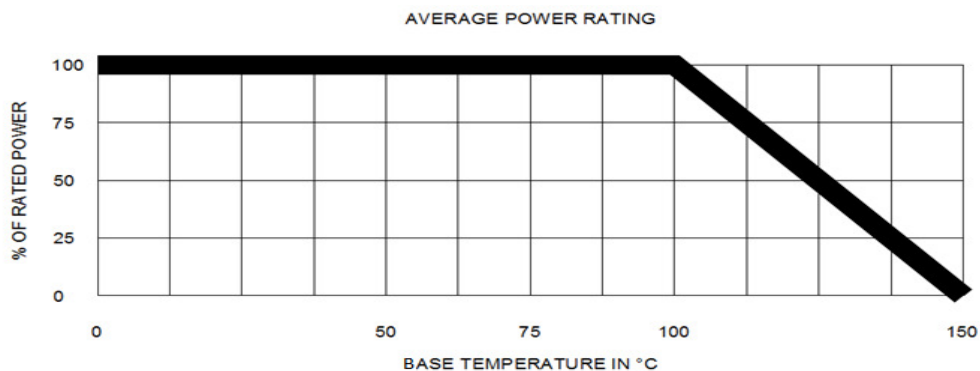
Specifications:

DC Resistance:	50 Ohms +/-5%
Power:	2 Watts
Operating Temperature:	-55°C to +125°C
VSWR (MAX):	1.25:1 DC - 6 GHz
	1.50:1 6 - 12 GHz

Mechanical Outline



Dimensions are in inches [mm]



P.O. BOX 18802, Clearwater, FL 33762
1-800-526-0704

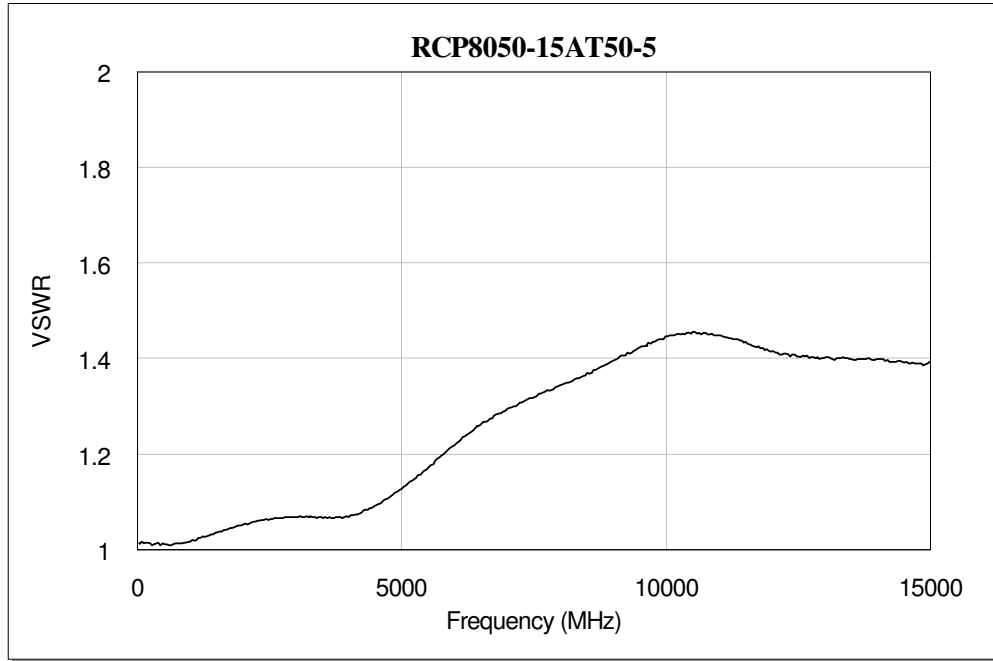


RPC80-100-25Z50-5

20 WATT SURFACE MOUNT TERMINATION

RES-NET MICROWAVE

Typical Performance



Ordering Information

<p>RPC</p> <hr style="width: 100%;"/> <p>Series</p>	<p>8050</p> <hr style="width: 100%;"/> <p>Size: 8050: 0.080"x0.050"</p>	<p>-15</p> <hr style="width: 100%;"/> <p>Thickness: 15 mils</p>	<p>A T</p> <hr style="width: 100%;"/> <p>Substrate: Style A: Alumina</p>	<p>50</p> <hr style="width: 100%;"/> <p>Resistance</p>	<p>- 5</p> <hr style="width: 100%;"/> <p>Tolerance</p>
--	--	--	---	---	---

P.O. BOX 18802, Clearwater, FL 33762
1-800-526-0704



Electro Technik Industries

RES-NET MICROWAVE

Capacitive Products

Arizona Capacitors, Inc.
1100 S. Plumer Avenue, Tucson, AZ 85719
tel: 520-573-0221 fax: 520-573-0520
azcapsales@electrotechnik.com
www.arizonacapacitors.com

- Wound Film Capacitors and Electronic Filters

Custom Suppression, Inc.
1100 S. Plumer Avenue, Tucson, AZ 85719
tel: 520-573-0223 fax: 520-573-0520
csisales@electrotechnik.com
www.customsuppression.com

- Broadband, Microwave, EMI, and RFI Filters, Filtered Connectors, and Assemblies

Microwave Products

Res-Net Microwave, Inc.
P.O. Box 18802, Clearwater, FL 33762
tel: 727-530-9555 fax: 727-531-8215
res_sales_service@electrotechnik.com
www.res-netmicrowave.com

- RF/Microwave Resistors, Attenuators, Terminations

Wavetronix Corp.
P.O. Box 18802, Clearwater, FL 33762
tel: 727-530-9555 fax: 727-531-8215
wave_sales_service@electrotechnik.com
www.wavetronix-eti.com

- RF/Microwave Cable Assemblies and Semi-Rigid Coaxial Cables

Resistive Products

Tepro of Florida, Inc.
P.O. Box 18802, Clearwater, FL 33762
tel: 727-796-1044 fax: 727-791-7425
tep_sales_service@electrotechnik.com
www.tepro-vamistor.com

- Wirewound and Metal Film Resistors

Vamistor
P.O. Box 1260, Clearwater, FL 33757
tel: 727-796-1044 fax: 727-791-7425
tep_sales_service@electrotechnik.com
www.tepro-vamistor.com

- Carbon Film and RL 42 Resistors

Magnetics Products

Hytronics Corp.
P.O. Box 18802, Clearwater, FL 33762
tel: 727-535-0413 fax: 727-531-1592
hy_sales_service@electrotechnik.com
www.hytronicscorp.com

- Power Transformers and Power Inductors

Raycom Electronics, Inc.
P.O. Box 250, 1 Raycom Rd.
Dover, PA 17315
tel: 717-292-3641 fax: 717 292-2919
raycomsaleservice@electrotechnik.com
www.raycomelectronics.com

- Custom Military and Avionics Magnetics

Goguen Industries

1100 S. Plumer Avenue, Tucson, AZ 85719
tel: 520-573-0221 fax: 520-573-0520
goguensales@electrotechnik.com
www.goguenindustries.com

- Specialty Inductors, Transformers, and Air Coils

Inductive Technologies, Inc. (I-Tech)
P.O. Box 18802, Clearwater, FL 33762
tel: 727-532-4459 fax: 727-531-1592
i-techsales@electrotechnik.com
www.inductech.com

- Standard Catalog Inductors and Transformers

Winatic Corp.
P.O. Box 18802, Clearwater, FL 33762
tel: 727-538-8917 fax: 727-531-1592
win_sales_service@electrotechnik.com
www.winatic.com

- Transformers and Inductors for Medical Devices and Equipment

P.O. BOX 18802, Clearwater, FL 33762
1-800-526-0704